



**FRANKLIN COUNTY
CONVENTION FACILITIES
AUTHORITY**

COLUMBUS

400 N. High Street
Columbus, OH 43215
(614) 827-2800
meetusincolumbus.com

**Addendum No.1
Request for Bids
Greater Columbus Convention Center South Facility
Air Handler Replacement**

Please see the attached Air Flow Distribution drawing highlighting the distribution paths for each of the air handler units scheduled for replacement. This drawing may be useful in determining the appropriate phasing of replacement.

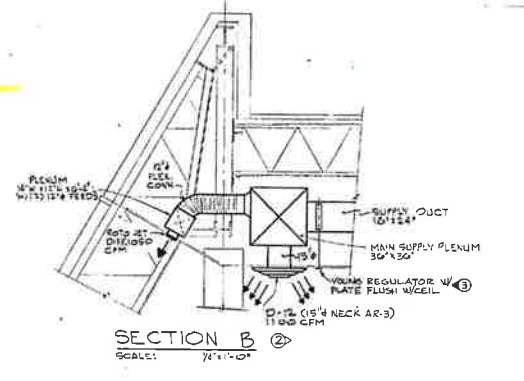
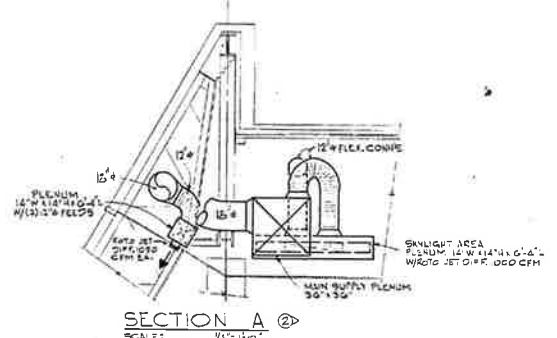
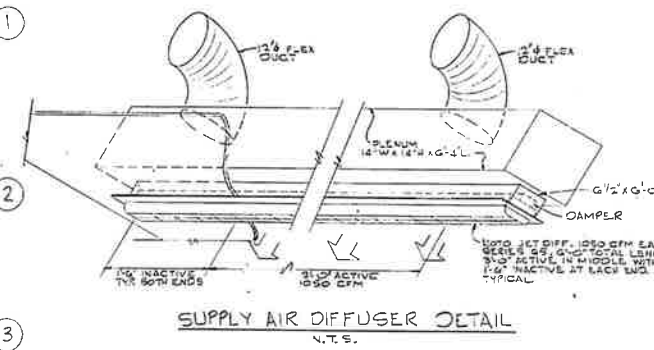
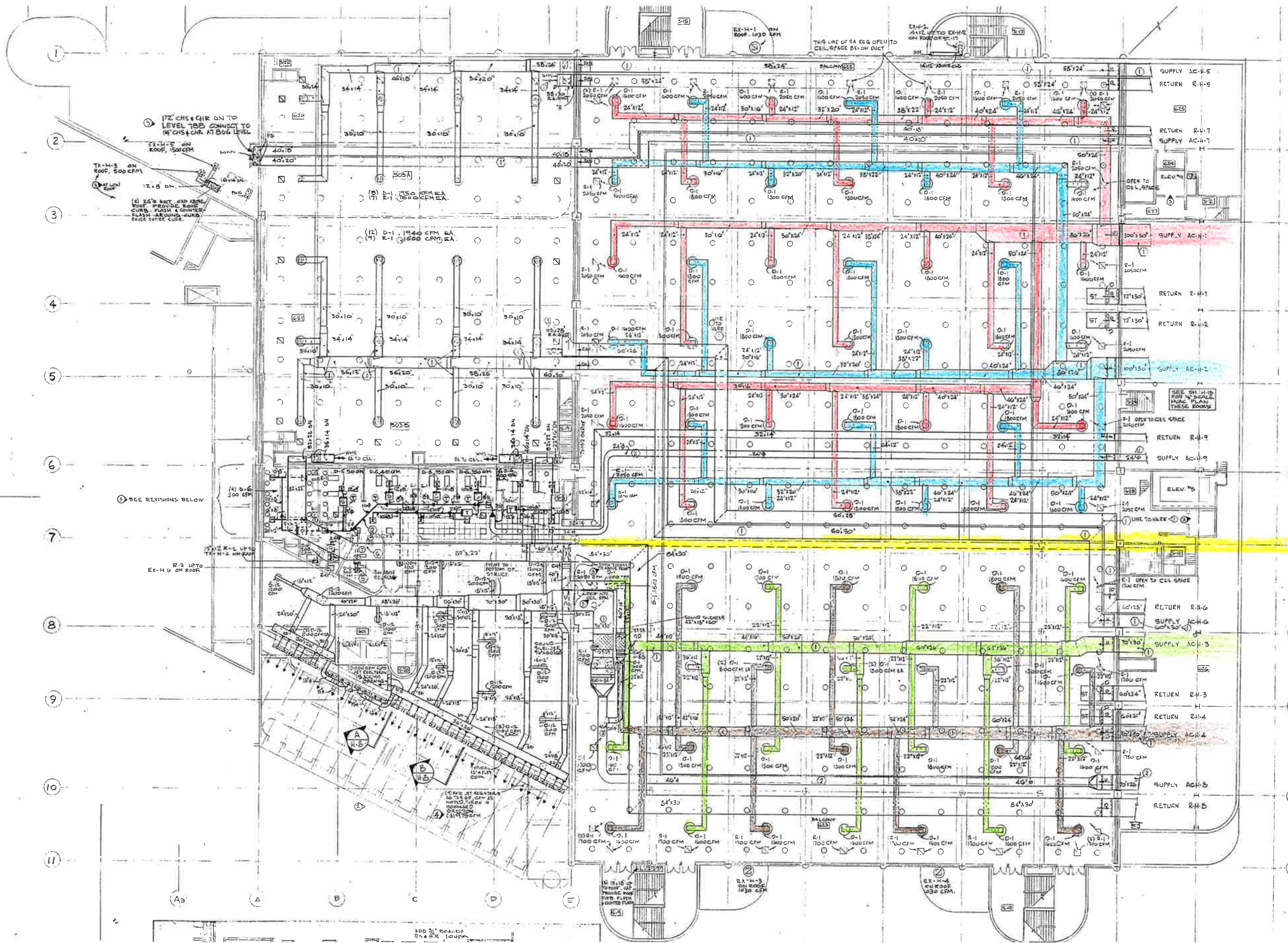
Pursuant to Article 7 of the Project Manual, receipt of addenda shall be indicated by bidders in the space provided on the Form of Proposal.

This addendum does not change or modify the January 16, 2023, deadline for submittal of bids.

Sincerely,

A handwritten signature in blue ink that reads "Jordan Edmonds".

Jordan Edmonds
In-House Counsel, FCCFA



NOTES:
 1. SEE DWG. H-7 FOR ALT. M-1 HVAC PLAN
 2. EXHIBIT HALL #1 ALL HIGH BAY DIFFUSERS (21) AT 1975 CFM.
 3. EXHIBIT HALL #2 ALL HIGH BAY DIFFUSERS (28) AT 1925 CFM.
 2. ALL EXHIBIT HALL RA REG. IN HIGH BAY REMAIN SAME FOR ALT. M-1.

INSULATION NOTES:
 ① DUCT WITH ACOUSTIC & THERMAL INSULATION LINER.
 ② DUCT INSULATED ON OUTSIDE (ROUND/OVAL & HIGH VELOCITY OVER 2000 FPM)
 ③ DOUBLE-WALLED INTERNALLY-INSULATED DUCT (UNITED-K-27)
 ④